

Mixer Tap Camillo

Mixer Taps

Code: 8467 000



DETAILS

Mixer type Single lever mixer tap with rotating barrel and extractable shower head.

Texture Chromed

Material Brass

Rotating angle 170°

Strengthening plate ø48mm

Cartridge With ceramic discs

Mixer hole ø35mm

Max worktop thickness 40mm

FEATURES

170 ° rotation

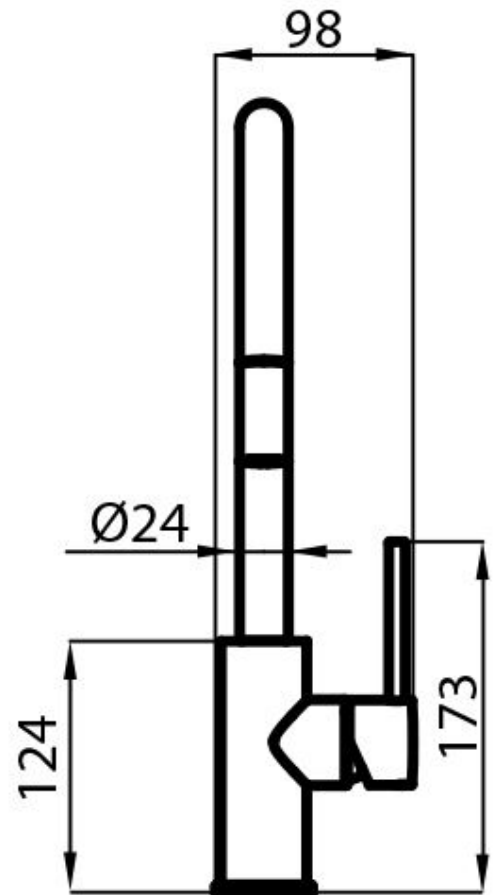
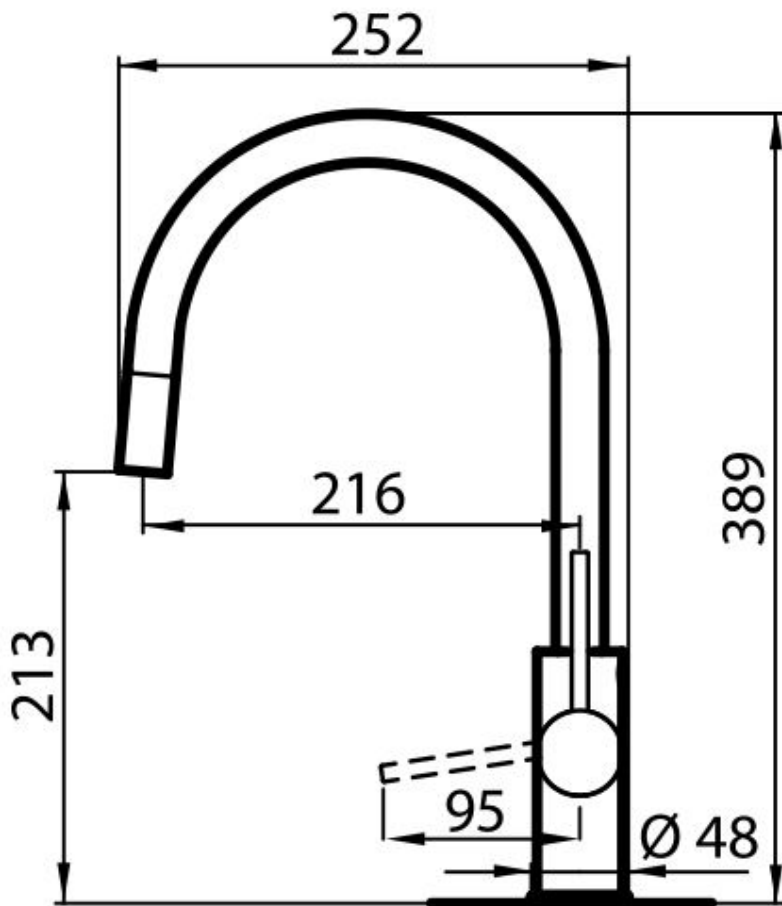
Extractable head

The head of the tap is extractable, in order to easily reach any area of the sink.

Strengthening plate

Foster's mixer taps are equipped with the strengthening plate that offers perfect stability on any sink.

TECHNICAL DATA



GALLERY

